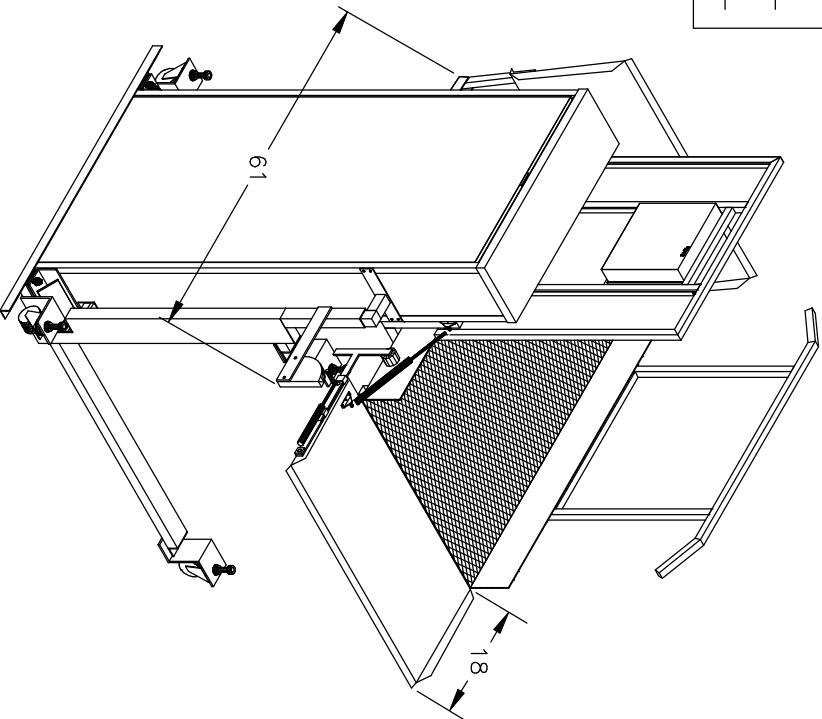
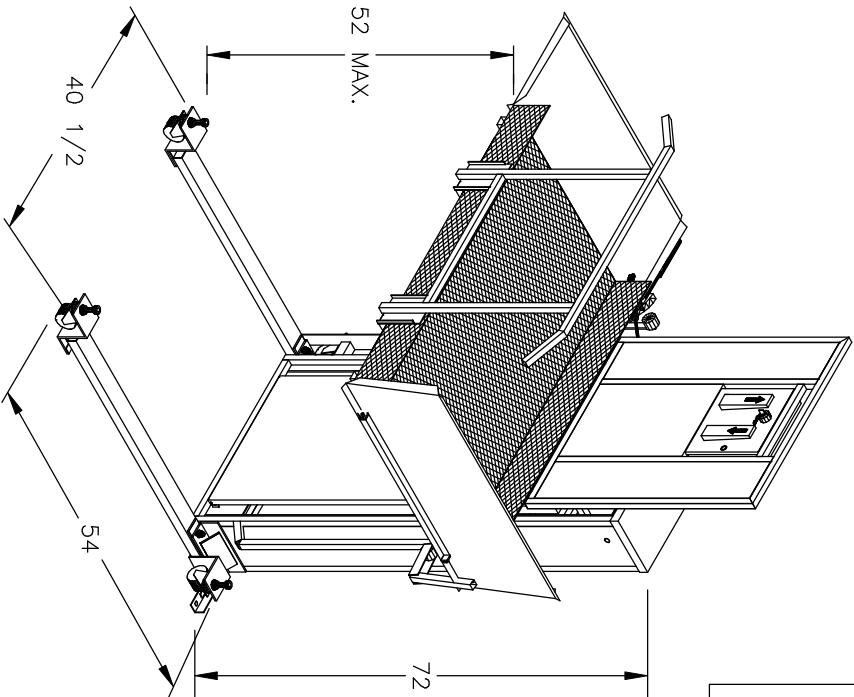


Accepted as Shown  
 Revise and Resubmit  
 Accepted as Modified  
 Date: \_\_\_\_\_  
 Per: \_\_\_\_\_

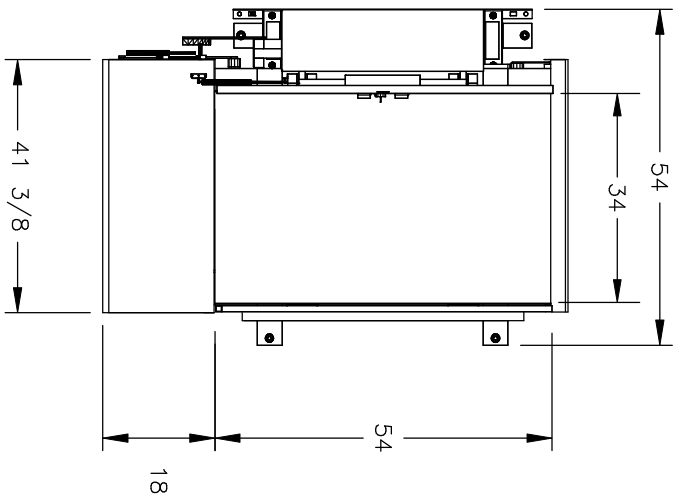


NOTES:  
 — Dimensions are in inches

JOB No.	TOTAL TRAVEL	52 [1321]	INCHES mm	No. OF LANDINGS	2
LOCATION	PORTABLE TRUS-T-LIFT SAMPLE DRAWING				
ARCHITECT					
GENERAL CONTRACTOR					
B	BH	28/3/06	CORRECT DECK DIMENSIONS		
DWN. BY:		B. HANNAH			
CHECKED BY:					
SCALE:		N.T.S.			
DATE:		04/04/05			
DRAWING No.		52PORTABLE			
REV		B			

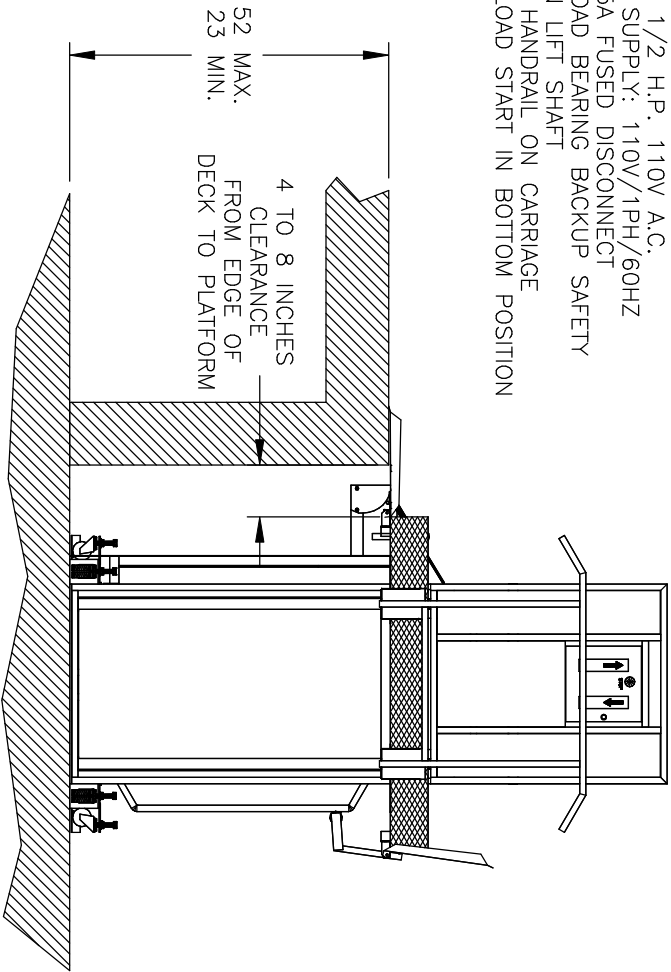


TRUS-T-LIFT  
 INSTALLATION DETAILS  
 AND SPECIFICATIONS



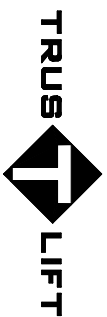
PLAN VIEW SECTION

- SPECIFICATIONS:**
- 34" x 54" LIFT PLATFORM
  - 54" x 54" FOOTPRINT
  - 72" HEIGHT
  - 23" - 52" LIFT RANGE
  - MAXIMUM LOAD 550 lbs [250 kg].
  - 8 FEET/MINUTE [2.4 METRES/MINUTE]
  - LIFT SPEED
  - SCREW NUT WORM GEAR DRIVE
  - MOTOR: 1/2 H.P. 110V A.C.
  - POWER SUPPLY: 110V/1PH/60HZ
  - C/W 15A FUSED DISCONNECT
  - NON-LOAD BEARING BACKUP SAFETY NUT ON LIFT SHAFT
  - SAFETY HANDRAIL ON CARRIAGE
  - ZERO-LOAD START IN BOTTOM POSITION



SECTION A-A

B BH 28/3/06 CORRECT DECK DIMENSIONS



JOB No.	TOTAL TRAVEL	52 [1321]	INCHES mm	No. OF LANDINGS	2
LOCATION	PORTABLE TRUS<T>LIFT SAMPLE DRAWING				
ARCHITECT					
GENERAL CONTRACTOR					

DWN. BY:	B. HANNAH	TRUS-T-LIFT	INSTALLATION DETAILS AND SPECIFICATIONS	DRAWING No.	52PORTABLE	REV	B
CHECKED BY:		SCALE:	N.T.S.	DATE:	04/04/05		